

Connectivity.Assured

## R.3 4K UHD 18Gbps Rack Install HDMI® Cable

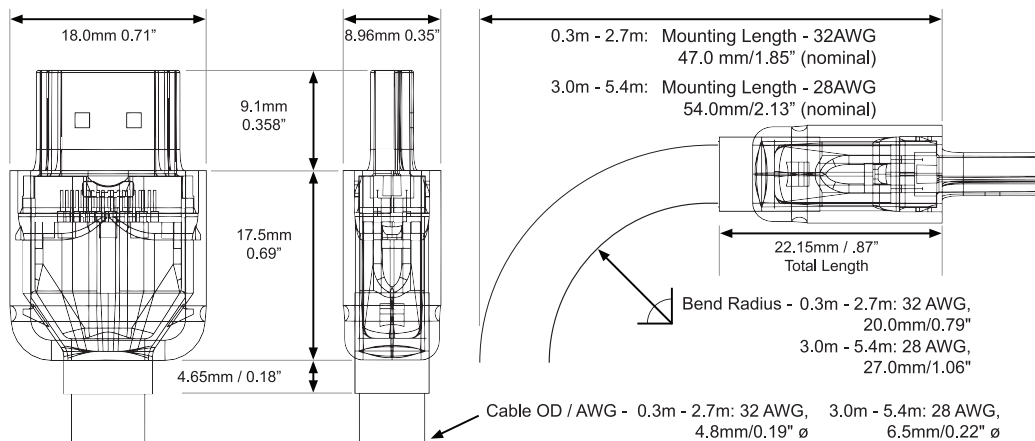
Kordz R.3 is engineered for commercial AV rack installations. The unique combination of the die-cast HDMI connector, highly flexible Halogen-free cable and small profile lightweight design results in unrivalled installation flexibility and robustness.

- Engineered and built to deliver maximum commercial up-time
- 0.3 - 3.0m lengths in 0.3m increments for precision rack fitoffs
- 3.6 - 5.4m lengths in 0.6m increments
- High bandwidth solid OFC conductors
- Induction soldered pin transitions for benchmark inter-terminal uniformity
- Anti-fatigue Die-cast Zn alloy connectors tested to  $\geq 1,000$  cycles & 2kg retention force
- 100% of units tested for zero bit error rate @ 340Mscs, <0.05% in-field failure rate
- Halogen-free construction
- THX® Certified 4K Interconnect
- DPL Certified 4K 18G-DC
- Immortal lifetime warranty



### Technical Specifications

<b>HDMI Certification</b>		<b>≤ 5.4m PASSIVE</b>
HDMI CTS (Certified Test Specification)		High Speed with Ethernet
DPL Labs Certified Data Rate		6.0Gbps, 17.82Gbps agg
DPL Labs Certified Data Rate		≥ 6.0Gbps, 17.82Gbps agg (4K UHD)
HDMI Clock		27-340MHz
<b>Construction</b>		
Primary Conductors		Solid 32/28AWG OFC, length dependent
Insulation	TMDS	Foamed PE / Polyolefin
	4C + HEAC Pairs	Foamed PE / Polyolefin
Shielding	TDMS Pairs	Al / Mylar
	Overall	AL/Mylar + CU braid 90% coverage
Cable Jacket		Halogen-free TPE
HDMI Connector Shell		Anti-fatigue die-cast Zn alloy, 1μ" 24K Gold plated
HDMI Connector Pins		Solid OFC, 15μ" 24K Gold plated
Termination		Contactless IR induction soldering
HDMI Backshell		Al anodised front with Halogen-free TPE strain relief
<b>Mechanical</b>		
Cable Diameter		0.3m - 2.7m: 32 AWG, 4.8mm/0.19" $\varnothing$   3.0m - 5.4m: 28 AWG, 6.5mm/0.22" $\varnothing$
Mounting Depth		0.3m - 2.7m: 32 AWG, 47.0mm/1.85" $\varnothing$   3.0m - 5.4m: 28 AWG, 54.0mm/2.13" $\varnothing$
Cable Bend Radius		0.3m - 2.7m: 32 AWG, 20.0mm/0.79" $\varnothing$   3.0m - 5.4m: 28 AWG, 27.0mm/1.06" $\varnothing$
Retention Force (nom)		20N (approx 2kg / 4.4lbs) +10/-5%



**HDMI®**  
2.0 Adopter

DPL Labs Certified



kordz.com



kordz.com



# R.3 4K UHD 18Gbps Rack Install HDMI® Cable

Application Specifications	
<b>Video Format Support</b>	<b>Data rate per channel / Aggregate, TMDS Bandwidth</b>
480i/p, 576i/p	≤ 540Mbps/1.62Gbps, 270MHz
720p/1080i	742.5Mbps/2.22Gbps, 371.25MHz
<b>1080p - 8-bit RGB/YCbCr 4:4:4, 10/12-bit 4:2:2 or 4:2:0</b>	
23.98/24/29.97/30	742.5Mbps/2.22Gbps, 371.25MHz
50/59.94/60	1.485Gbps/4.455Gbps, 742.5MHz
3D-24/30	1.485Gbps/4.455Gbps, 742.5MHz
3D-50/60	2.97Gbps/8.91Gbps, 1.485GHz
<b>1080p - 10/12/16-bit RGB/YCbCr 4:4:4</b>	
50/59.94/60fps	1.86-2.97Gbps/5.57-8.91Gbps, ≤ 1.485GHz
<b>2160p (UHD/4K)</b>	
<b>HDMI 1.4b - 8-bit RGB/YCbCr 4:4:4, 10/12-bit 4:2:2 or 4:2:0</b>	
4096x2160p/24 (SMPTE)	2.97Gbps/8.91Gbps, 1.485GHz
3840x2160p/23.98/24/29.97/30	2.97Gbps/8.91Gbps, 1.485GHz
<b>HDMI 2.0 - 8-bit YCbCr 4:2:0</b>	
2160p*/50/59.94/60	2.97Gbps/8.91Gbps, 1.485GHz
<b>HDMI 2.0Mode, 8-bit 4:4:4, 10/12-bit 4:2:2 or 16-bit 4:2:0</b>	
2160p*/50/59.94/60-2D 9CEA-861-F	5.94Gbps/17.82Gbps, 2.97GHz
2160p*30-3D	5.94Gbps/17.82Gbps, 2.97GHz
<b>VESA Graphics</b>	Supports all as defined by HDMI 2.0 specification, up to 17.82Gbps
<b>Color Spaces</b>	RGB, YCbCr, xvYCC, Adobe sRGB, sYCC601, ITU-BT.2020
<b>Audio Formats Support</b>	PCM 2.0-7.1, DD/DTS HD 7.1, 3D Audio (10.2   22.2   30.2ch)
<b>HDMI Audio Return Channel</b>	Supported, System Dependant

Commercial Range Comparison Features	ONE	PRO	PRS <sup>3</sup>	R.3
1080p60 On all Lengths	✓	✓	✓	✓
4K24 4:2:2 HDR12	to 3m	to 5m	✓	✓
4K60 4:4:4 8 Bit			✓	✓
10.2 Gbps Guaranteed Bandwidth	to 3m	to 5m	✓	✓
18.0 Gbps Guaranteed Bandwidth			✓	✓
Connector Retention Force	<1kg	1kg	3kg	2kg
Dual wrap Al/Mylar + industry leading 90% coverage copper braid shield				✓
DPL Labs Certified			✓	✓
THX Certified				✓
Lifetime Warranty	✓	✓	✓*	✓
Jacket Material - fire rating		UL CMG	✓**	Halogen Free

\* 5 Year Warranty on all Active & AOC HDMI Cables \*\* Available with fire ratings - UL CMG for all Passive/Active HDMI Cables & LSZH or CMP for AOC HDMI Cables

Part No:	Length	AWG	Technology	Inner Ctn Qty	Inner Ctn Weight Kgs	Master Ctn Qty	Master Ctn Weight Kgs
R.3-HD0030	0.3m   0' 11.8"	32	Passive	18	0.88	108	5.3
R.3-HD0060	0.6m   1' 11.6"	32	Passive	15	0.93	90	5.6
R.3-HD0090	0.9m   2' 11.4"	32	Passive	12	0.88	72	5.3
R.3-HD0120	1.2m   3' 11.2"	32	Passive	12	0.98	72	5.9
R.3-HD0150	1.5m   4' 11.0"	32	Passive	10	0.97	60	5.8
R.3-HD0180	1.8m   5' 10.8"	32	Passive	10	1.05	60	6.3
R.3-HD0210	2.1m   6' 10.6"	32	Passive	8	0.98	48	5.9
R.3-HD0240	2.4m   7' 10.5"	32	Passive	8	1.05	48	6.3
R.3-HD0270	2.7m   8' 10.3"	32	Passive	6	0.92	36	5.5
R.3-HD0300	3.0m   9' 10.1"	28	Passive	8	1.87	24	5.6
R.3-HD0360	3.6m   11' 9.7"	28	Passive	8	2.07	24	6.2
R.3-HD0420	4.2m   13' 9.3"	28	Passive	8	2.30	24	6.9
R.3-HD0480	4.8m   15' 9.0"	28	Passive	6	2.03	18	6.1
R.3-HD0540	5.4m   17' 8.6"	28	Passive	6	2.20	18	6.6